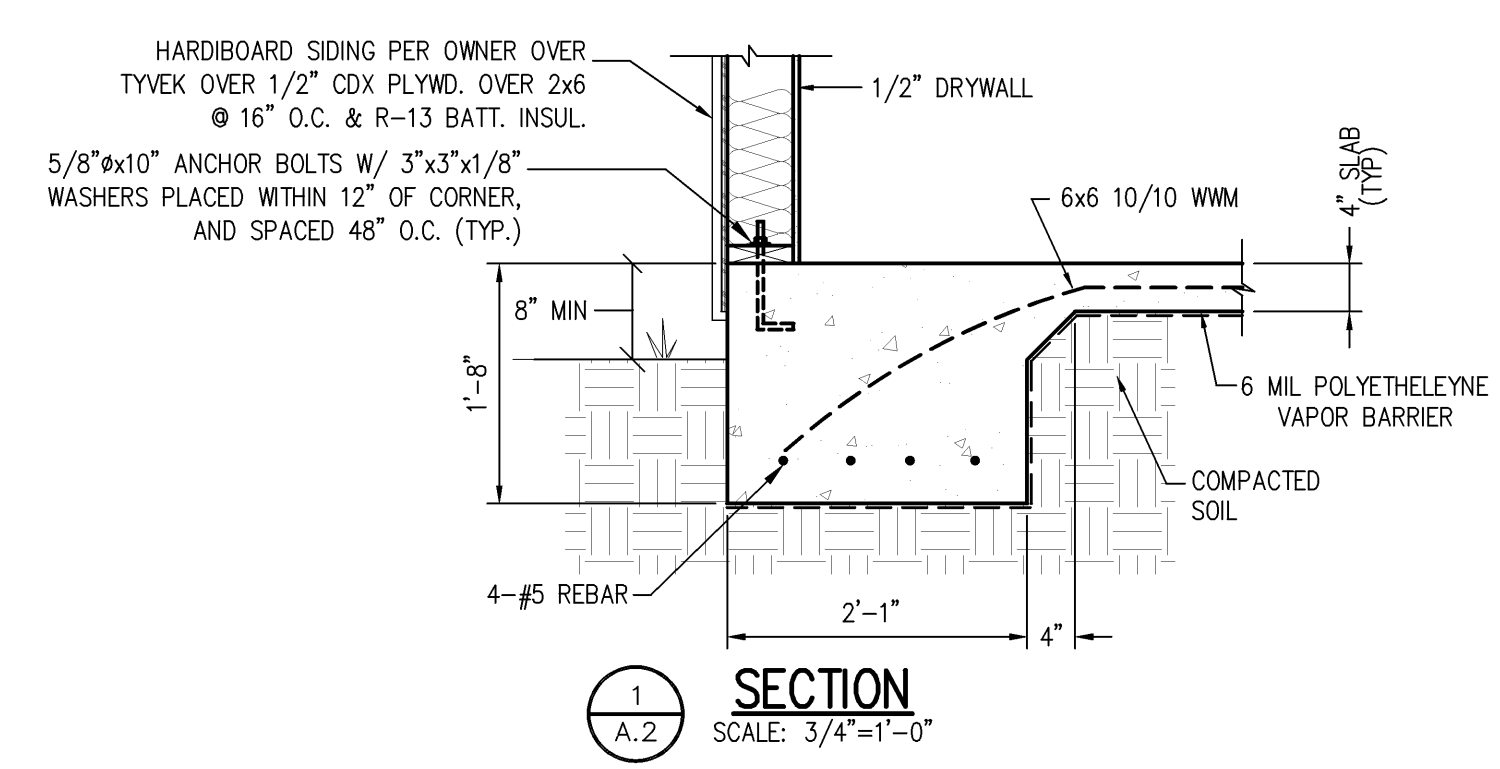
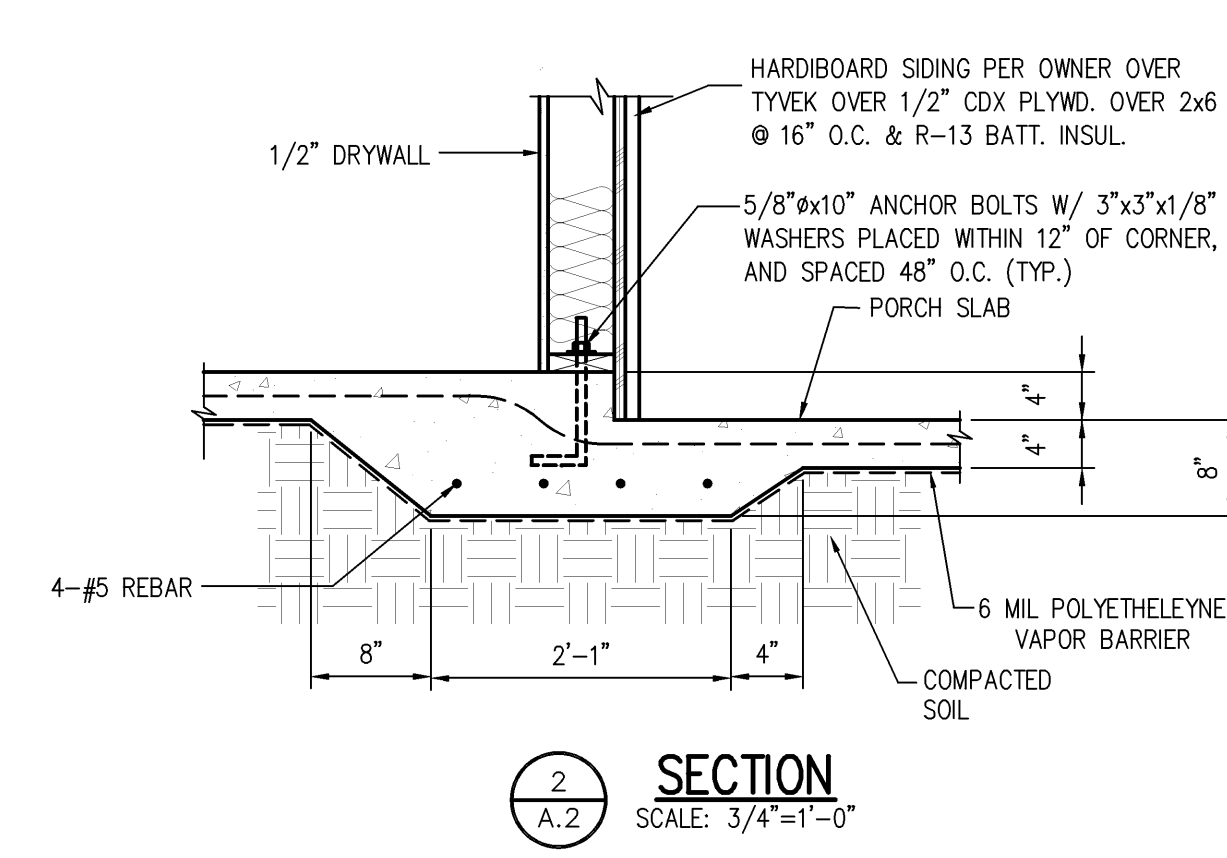


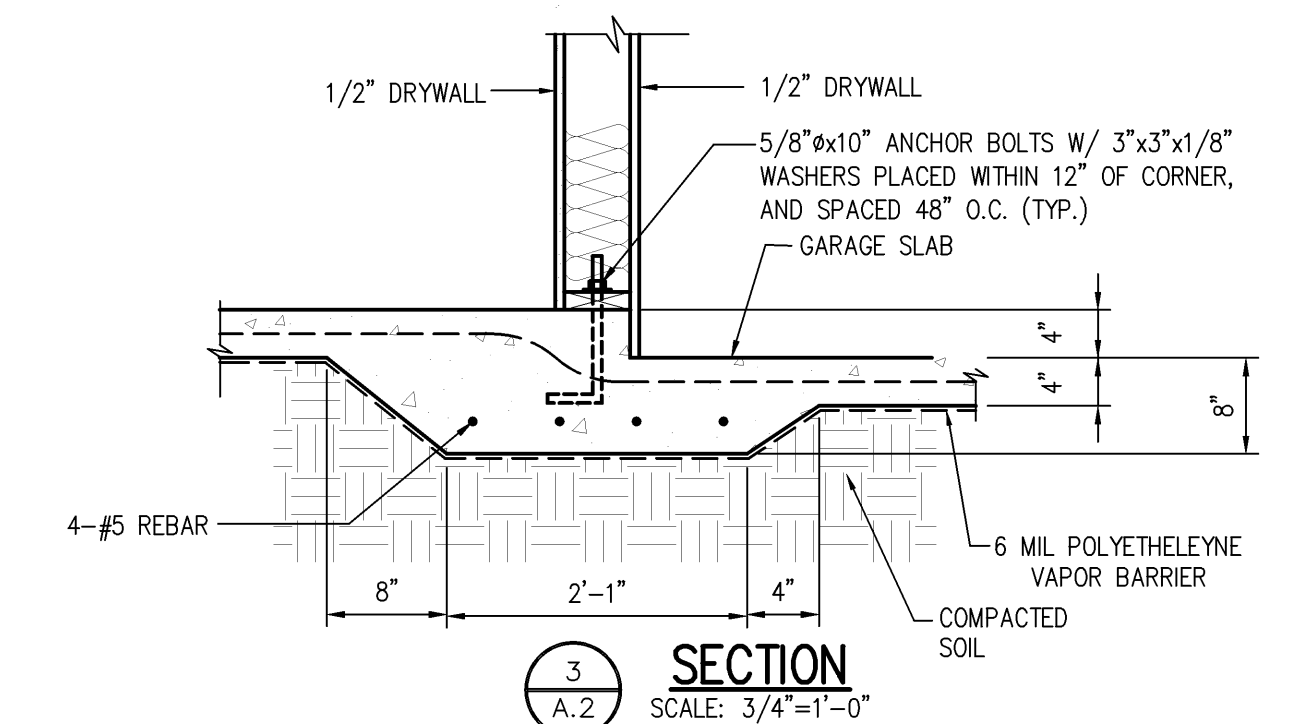
FOUNDATION PLAN
SCALE: 1/4"=1'-0"



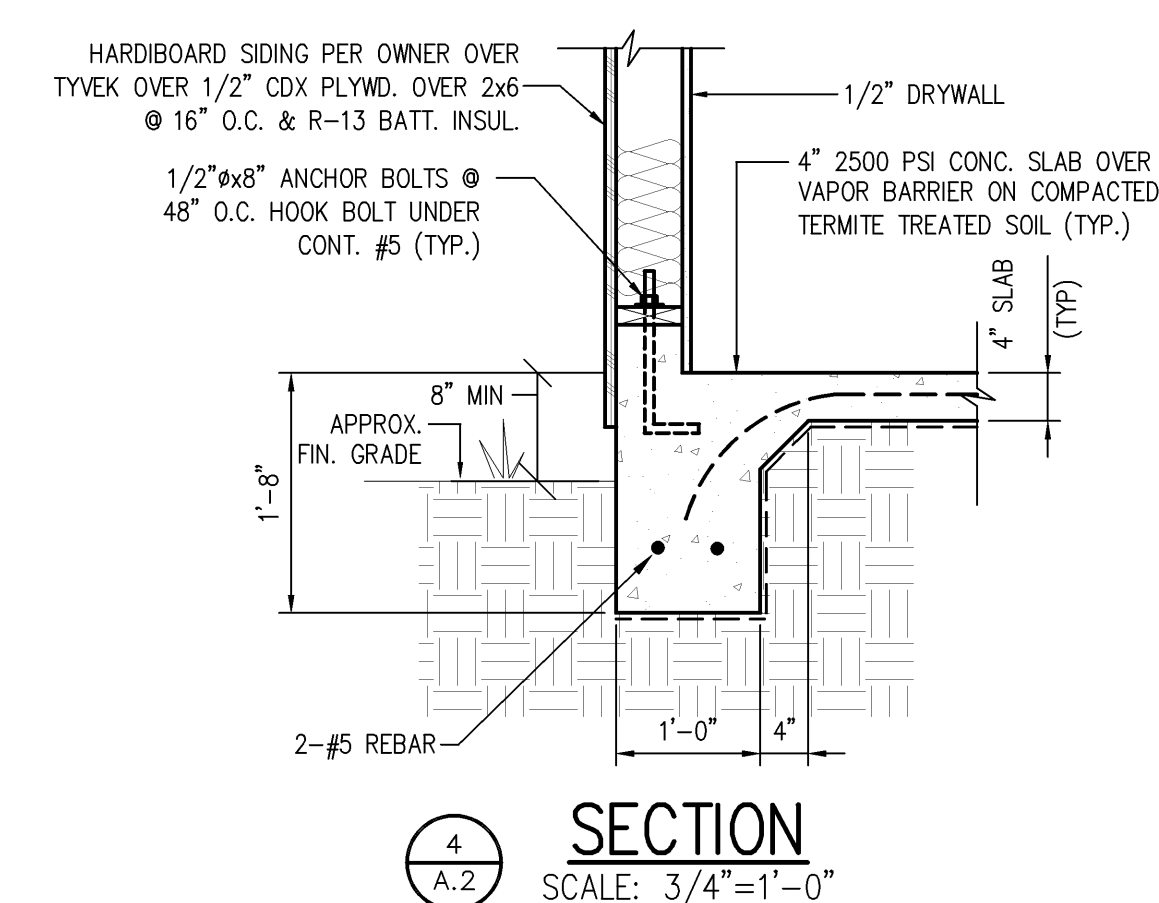
SECTION 1 A.2
SCALE: 3/4"=1'-0"



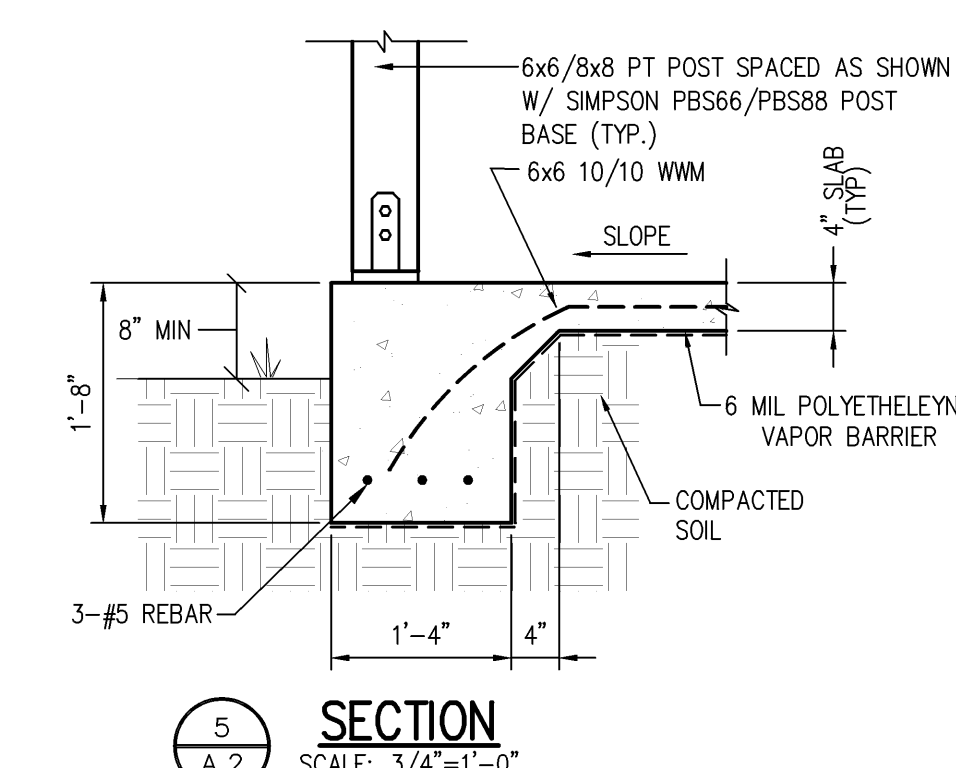
SECTION 2 A.2
SCALE: 3/4"=1'-0"



SECTION 3 A.2
SCALE: 3/4"=1'-0"



SECTION 4 A.2
SCALE: 3/4"=1'-0"



SECTION 5 A.2
SCALE: 3/4"=1'-0"

Prepared by
Mitch Baxley
17320 Panama City Beach Parkway, Suite 103
Panama City Beach, Florida 32413
(850) 235-0191

A NEW RESIDENCE FOR
CABANA VILLAS TYPE "A"
CLEANDER DRIVE
PANAMA CITY BEACH, FLORIDA

DRAWN BY	MEM
REVISIONS	
DATE OF ISSUE	1/26/06
CHECKED BY	
PROJECT NO	2005-035A
SHEET TITLE	FOUNDATION PLAN & TYP WALL SECTION
SHEET NO	A.2

CARR ENGINEERING & CONSTRUCTION, INC.
Michael V. Carr P.E. License # 26675
CIVIL & STRUCTURAL ENGINEERING CONSTRUCTION
13305 Panama City Beach Parkway
Panama City Beach, Florida 32407
Phone (904) 230-8812 • Fax (904) 230-8819