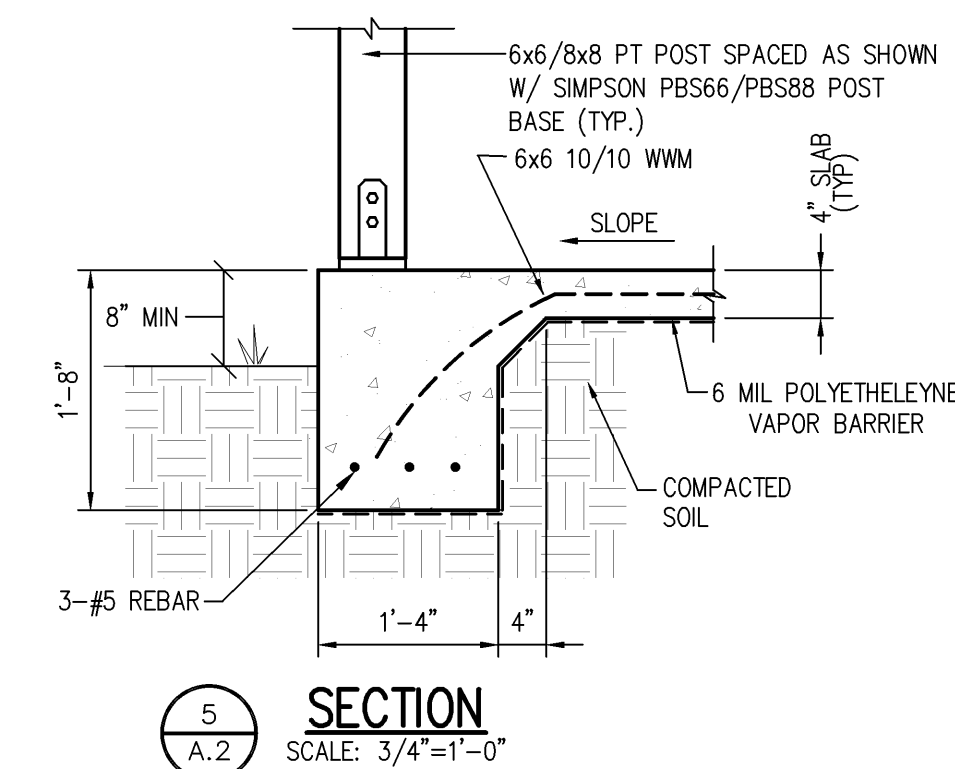
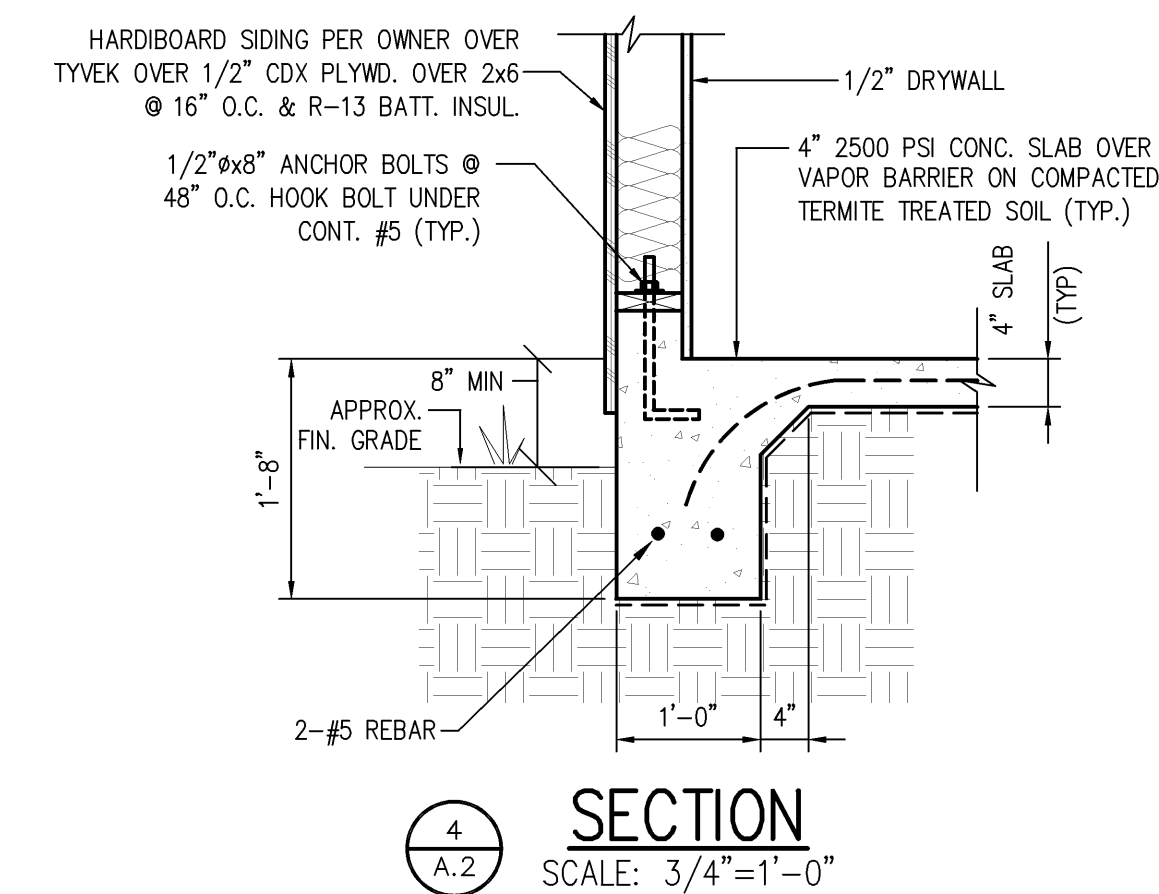
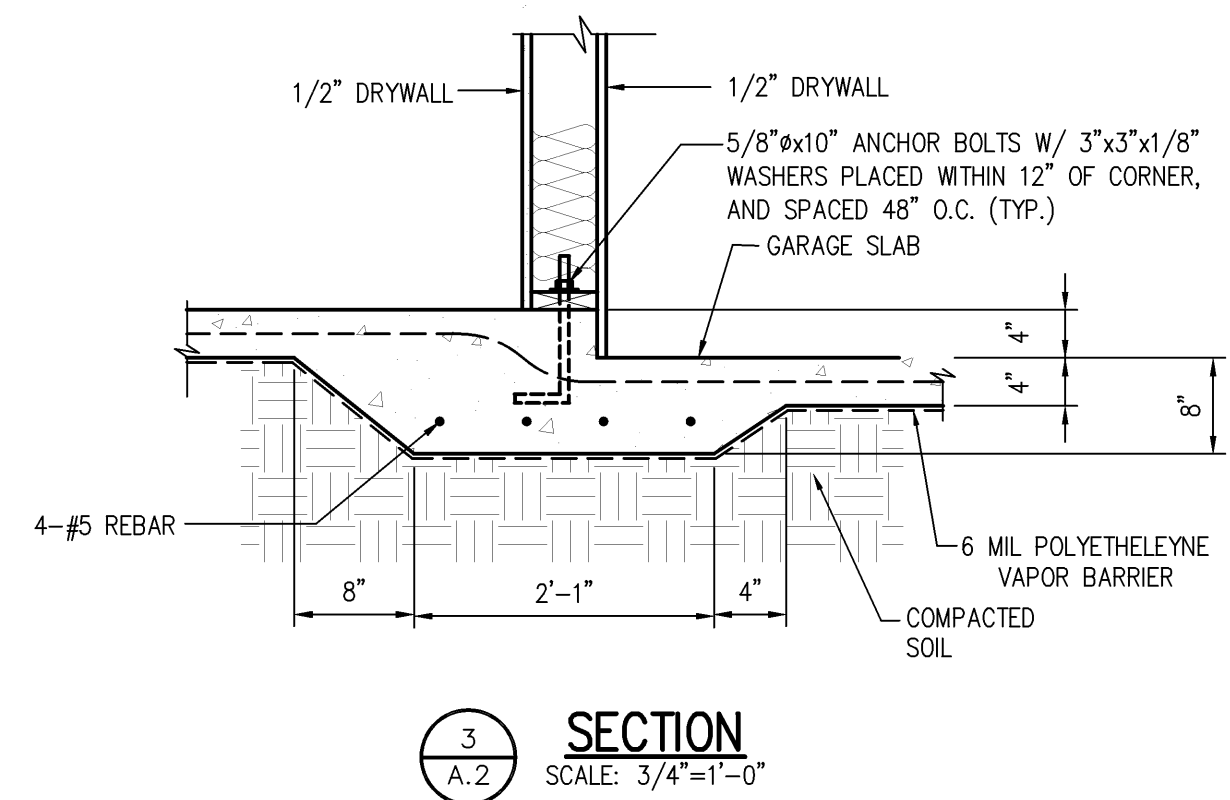
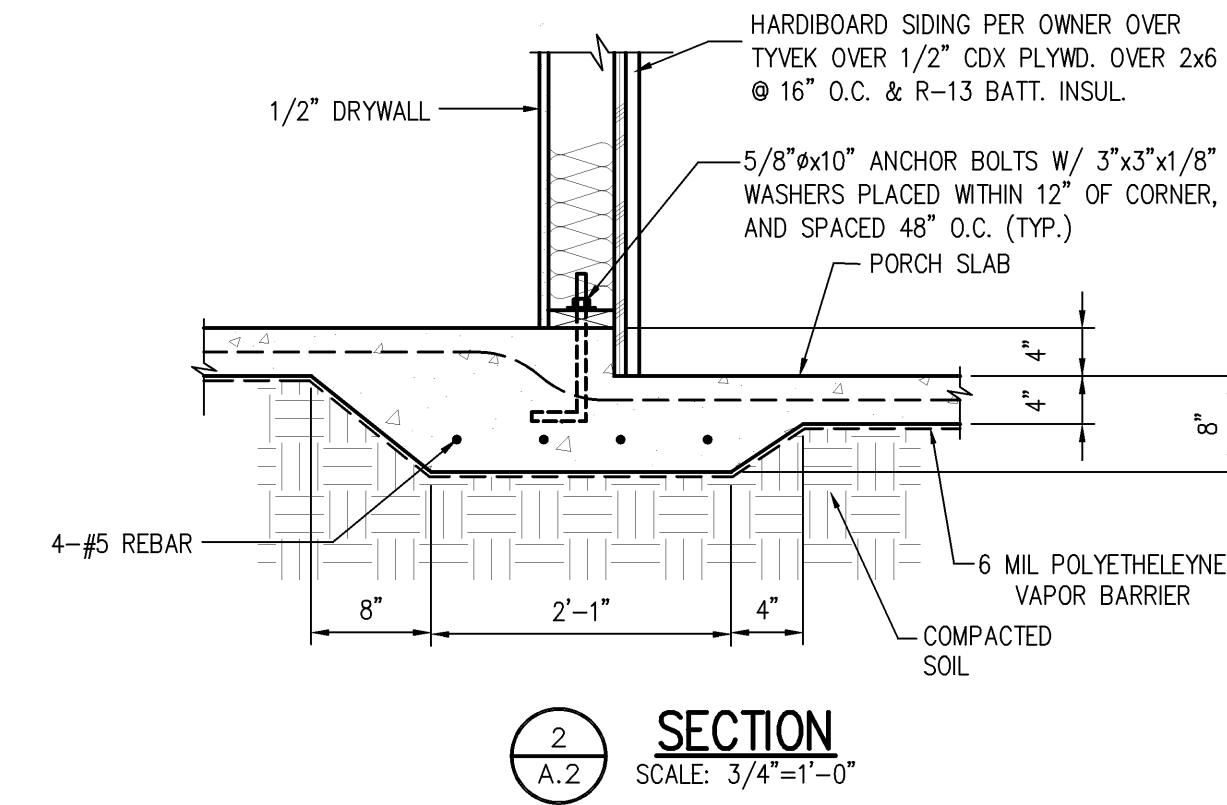
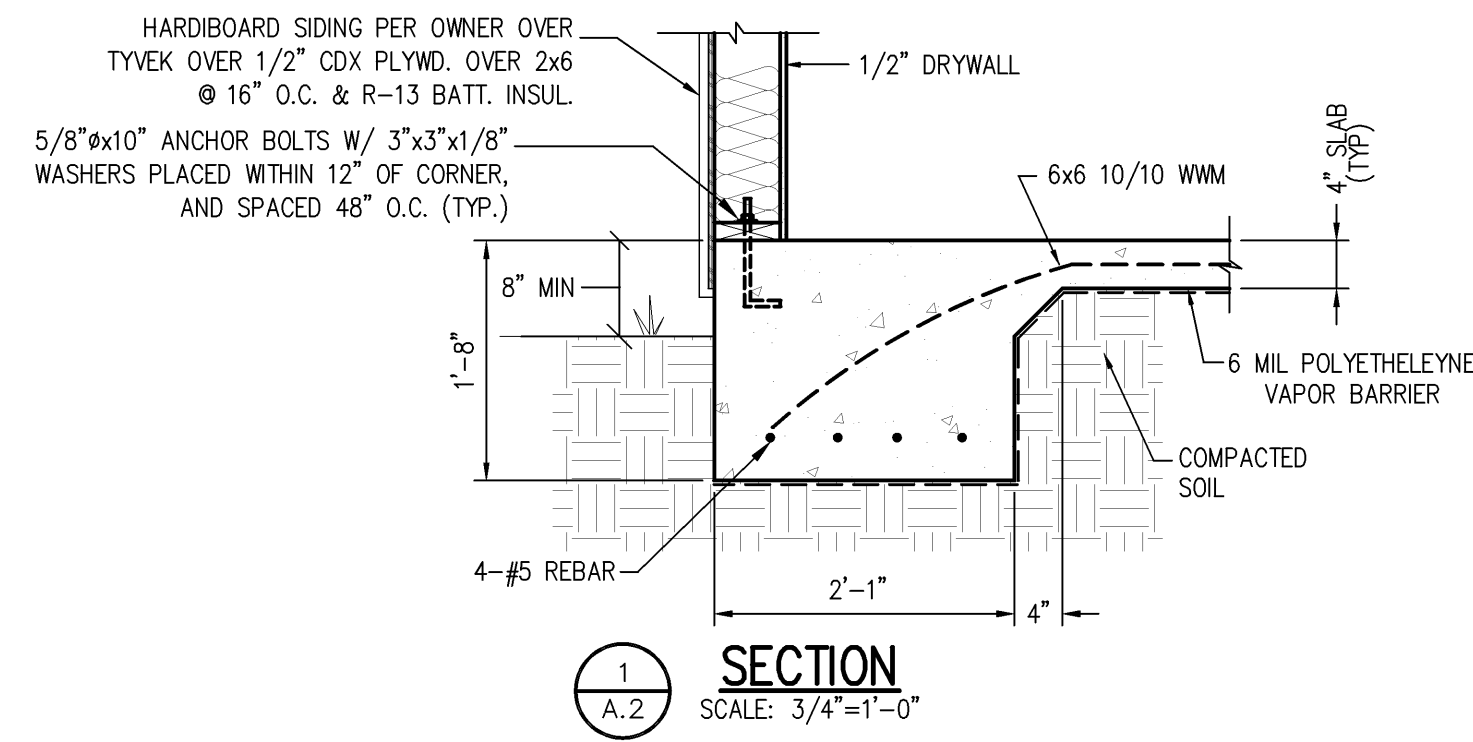


FOUNDATION PLAN
SCALE: 1/4"=1'-0"



CARR ENGINEERING & CONSTRUCTION, INC.
Michael V. Carr P.E. License # 26675
CIVIL & STRUCTURAL ENGINEERING CONSTRUCTION
13305 Panama City Beach Parkway
Panama City Beach, Florida 32407
Phone (904) 230-8813 • Fax (904) 230-8819

Prepared by
Mitch Baxley
17320 Panama City Beach Parkway, Suite 103
Panama City Beach, Florida 32413
(850) 235-0191

A NEW RESIDENCE FOR
CABANA VILLAS TYPE "C"
CLEANER DRIVE
PANAMA CITY BEACH, FLORIDA

DESIGN BY	MEM
REVISIONS	
DATE OF ISSUE	1/29/06
CHECKED BY	
PROJECT NO	2005-035C
SHEET TITLE	FOUNDATION PLAN & TYP WALL SECTION

SHEET NO
A.2