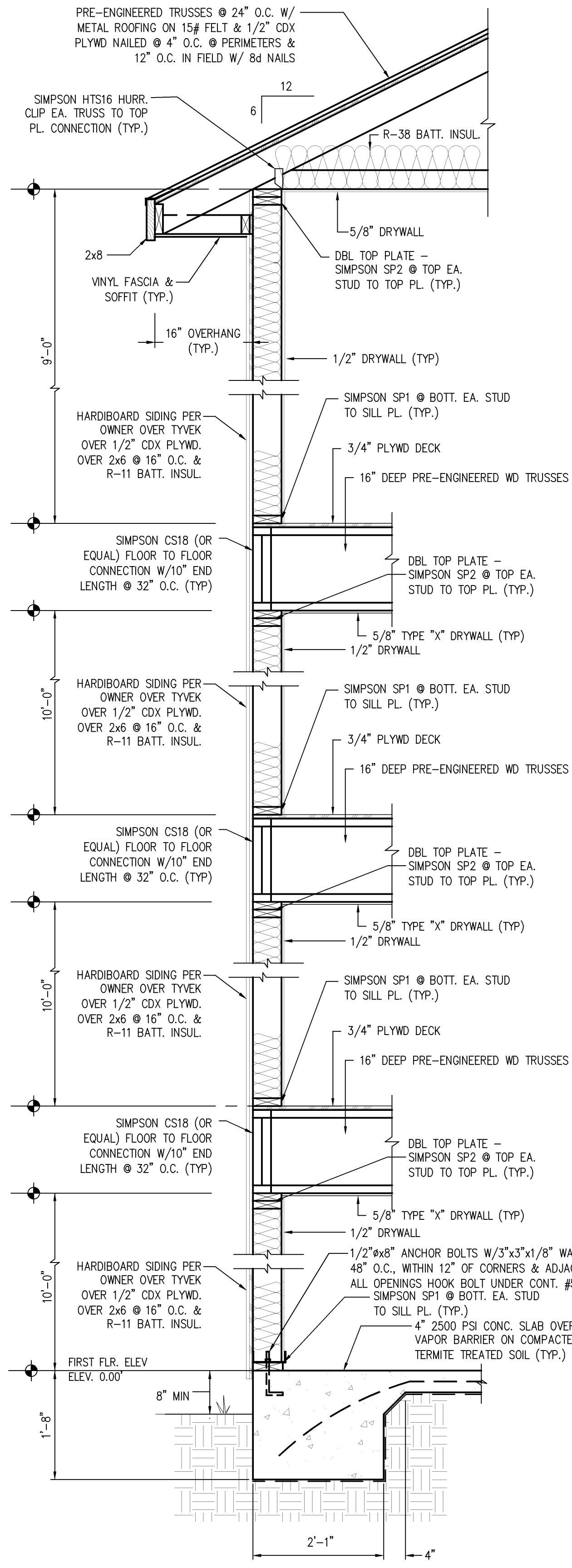
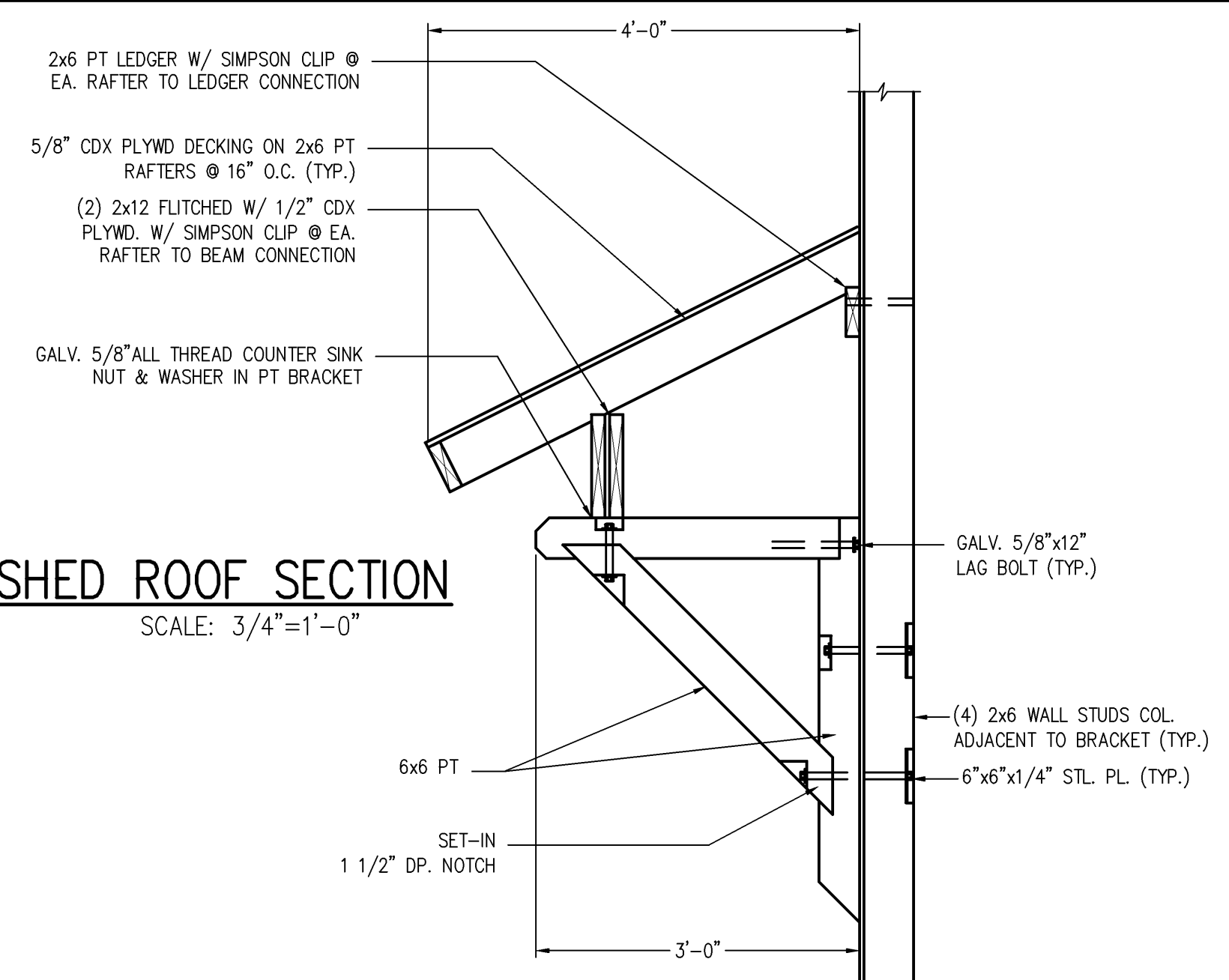


**SHED ROOF SECTION**  
SCALE: 3/4"=1'-0"



**FRONT ELEVATION**  
SCALE: 1/4"=1'-0"

**REAR ELEVATION**  
SCALE: 1/4"=1'-0"

**TYPICAL WALL SECTION**  
SCALE: 3/4"=1'-0"

NOTE:  
CONTRACTOR ALTERNATE; SIMPSON SP1 & SP2 NOT NEEDED IF CONTINUOUS SHEATHING  
COVERS ALL PLATES (THIS IS FOR FIRST FLOOR UNDER THE SECOND FLOOR ONLY)

**CARR ENGINEERING & CONSTRUCTION, INC.**  
Michael V. Carr P.E. License # 26675  
CIVIL & STRUCTURAL ENGINEERING CONSTRUCTION  
13305 Panama City Beach Parkway  
Panama City Beach, Florida 32407  
Phone (850) 230-8812 • Fax (850) 230-8819

Prepared by  
**Mitch Baxley**  
17320 Panama City Beach Parkway, Suite 103  
Panama City Beach, Florida 32413  
(850) 235-0191

A NEW RESIDENCE FOR  
**CABANA VILLAS TYPE "C"**  
OCEANVIEW DRIVE  
PANAMA CITY BEACH, FLORIDA

DESIGN BY	AMM
REVISIONS	
DATE OF ISSUE	1/24/06
CHECKED BY	
PROJECT NO	2005-035
SHEET TITLE	

BUILDING ELEVATIONS & WALL SECTION

SHEET NO  
**A.6**